

City Council

Emmett Badar, Mayor
Eric Nakano, Mayor Pro Tem – District 2
Rachel Bratakos - District 3
Ryan A. Vienna, - District 4
Eric Weber - District 1

City Manager

Brad McKinney

Assistant City Manager

Travis Sais

City Attorney

Jeff Malawy



Director of Administrative Services

Michael O'Brien

Director of Community Development

Luis Torrico

Director of Parks and Recreation

Scott Wasserman

Director of Public Works

Shari Garwick

LONE HILL PARK PICKLEBALL COURT CONVERSION ADDENDUM NO. 1 MARCH 20, 2025

NOTICE IS HEREBY GIVEN that Addendum No. 1 is being issued to modify or clarify the following:

1. Attachment 1 - Court Layout Plan
2. Contractor Licenses accepted for court resurfacing: **Class C-12, C-32, A, B.**
3. Contractor Licenses accepted for fence installation: **Class C-13, A, B.**
4. Fence specifications:
Per Green Book standard plan – Chain Link Fence Standard Plan 600-1-OC (See Attachment 2)
Min depth of 24" plus 3" for every foot of height have 4"
Diameter is 4 x largest cross section of the post.
3" OD = 12" diameter long
There is no opening or gate for this 60' fence.
Post is tension concrete.
5. Question: For the new 10' fence, we suggest 42" openings on each end, because if not the footing of the endpost of the fence will interfere with the light pole at those locations. Please advise.
Answer: **Install fence to fully separate existing courts per specifications. Fencing will be installed adjacent to the pole as close as possible.**
6. Question: Regarding the caulking replacement, do you only want the 60LF of caulking running east/west down the center of the court removed and replaced?
Answer: **YES**

7. Question: Can you confirm no modifications to the existing fence or to the other tennis court?

Answer: **No changes to existing fence.**

8. Question: The DIR website is closed and has been for most all last year and will stay closed until June of 2025 so registration and renewals are all suspended at this time. DIR registration is a part of this bid package yet complying with the DIR is not possible at this time. Please advise.

Answer: **Submit registration upon re-opening of DIR.**

9. Question: Installing 10' fencing is also included in this project yet a C-32 is not qualified to do this work. This work is required to be completed by a C-13 contractor. Are we to subcontract this work to others? Is the City going to separate this portion out of the surfacing contract? The DIR and CSLB both prohibit contracting out of qualification. Please advise as to how to proceed with this situation.

Answer: **Subcontracting is allowed on this project**

10. **The Bid Date remain Tuesday, April 1, 2025**

Acknowledgment of receipt of Addendum No. 1 is required by signing below and returning a copy of this addendum with the bid proposal package no later than the time they are due (Tuesday, April 1, 2025). This Addendum No. 1 consists of nine (9) pages.

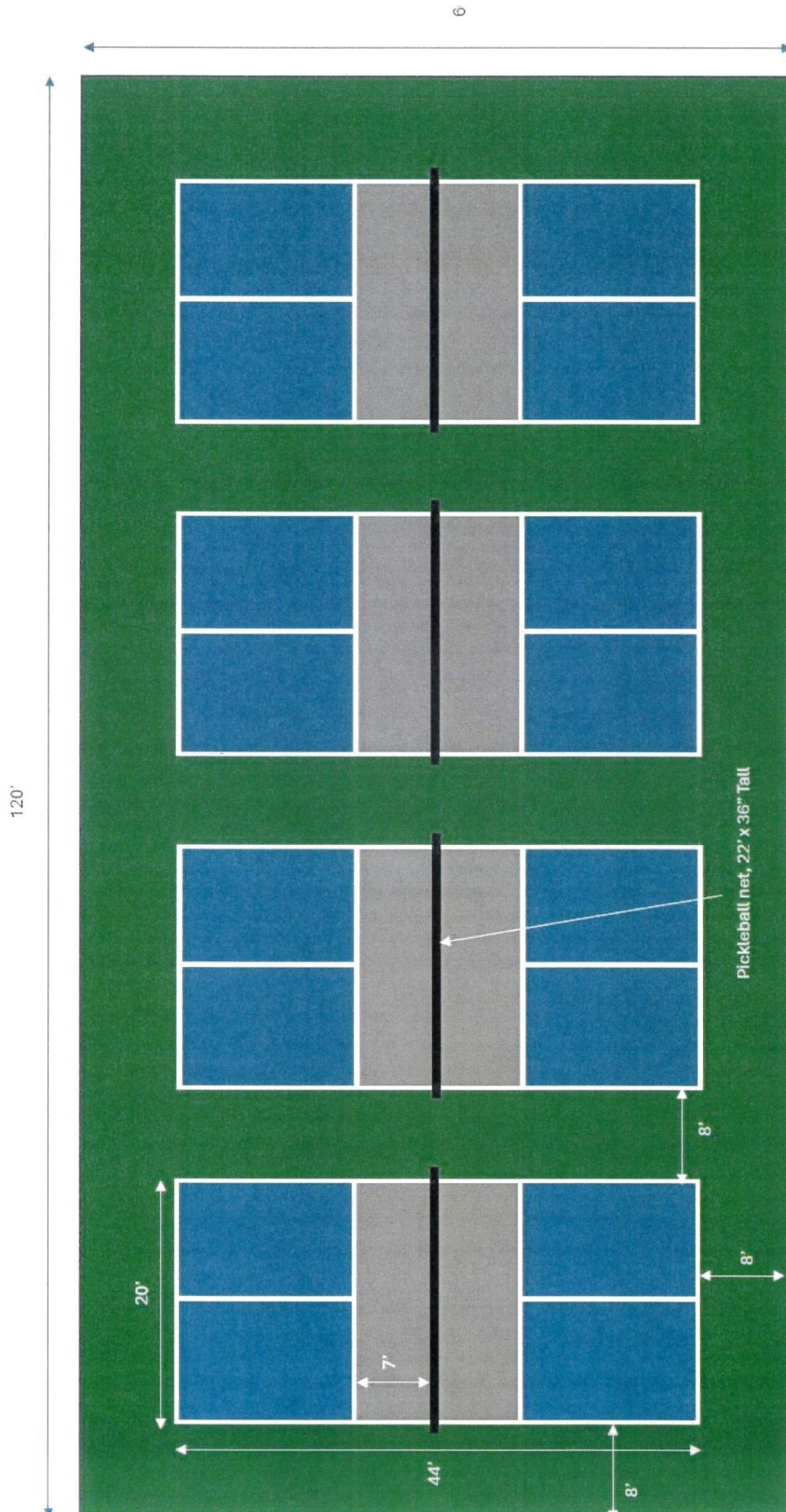
Should you have any questions regarding this addendum, please call (909) 394-6230.

ACKNOWLEDGMENT OF RECEIPT OF ADDENDUM NO. 1

FIRM NAME: _____

BY (Print & Sign): _____ DATE: _____

Attachment 1 - Court Layout Plan



Attachment 2 – Chain Link Fence Standard Plan 600-1-OC

The following Standard Plans for Public Works Construction, 1997 Edition, of the American Public Works Association (Southern California Chapter) and Associated General Contractors of California (Southern California Districts) have been adopted by Orange County Resources & Development Management Department (RDMD) with conditions which shall apply to RDMD use. The conditions are listed below.

<u>APWA #</u>	<u>RDMD #</u>	<u>Name and Conditions</u>
600-1	600-1-OC	<u>Chain Link Fence and Gates</u>
		<ol style="list-style-type: none"> 1. The chain link fence fabric shall be 9-gage for all fences, regardless of height, unless otherwise specified. Fabric shall have "knuckles" (not twists) at the top and bottom. 2. Construct fence with fabric side (outward side) 0.2' (60 mm) inside R/W (right-of-way) line. Place posts at least 2.5' (750 mm) from any R/W monument. R/W shall be identified and/or staked to the satisfaction of the Engineer prior to placing fence posts. 3. Chain link fence fabric shall be attached to the top and bottom tension wires at 18" O.C. (450 mm) with 12-gage hog rings. Fabric shall be attached to posts and braces at 16" (400 mm) O.C. with 9-gage aluminum wire. 4. Entry gates on flood control facilities shall be the maximum width possible (not to exceed 20 feet(6000 mm)) within the R/W. All gates over 12 feet (3600 mm) shall be double gates. 5. Gates shall be hung by two hinges for gates 10'-0" (3000 mm) or less and by three hinges for gates over 10'-0" (3000 mm). Gate hinges shall be an industrial hanger type hinge. 6. All gate frames are to be constructed of 1/2" (35 mm) minimum, galvanized pipe. 7. Double leaf gates are to include two 5/16" x 18" (8 mm x 450 mm) galvanized chains, fillet welded to center of gate frame and cutout, conforming to Detail A on sheet 2 of 3. Note: All fillet welds are to be coated with Cold Galvanizing Compound (95% Metallic Zinc by weight in dry film). 8. Single leaf gates are to include two 5/16" x 18" (8 mm x 450 mm) galvanized chains, fillet welded to center of latch post and cutout, conforming to Detail B on sheet 3 of 3. Note: All fillet welds are to be coated with Cold Galvanizing Compound (95% Metallic Zinc by weight in dry film). 9. Materials for posts, rails, and braces shall conform to the current issue of the "Standard Specifications for Public Works Construction (Green Book) Table 206-6.2 (A)."

ORANGE COUNTY RESOURCES & DEVELOPMENT MANAGEMENT DEPARTMENT

Approved


 H. I. Nakasone, Chief Engineer

Adopted: Res. 91-1481 Revised: Res. 06-010

STD. PLAN

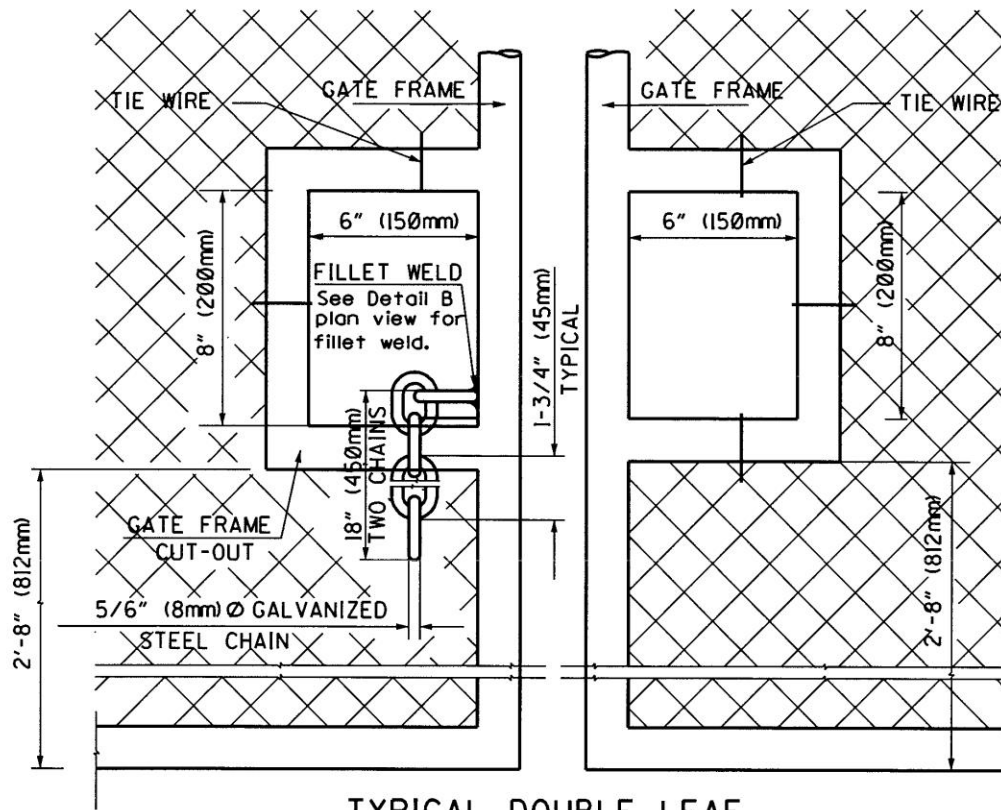
600-1-OC

APWA STANDARD PLAN-CHAIN LINK FENCE AND GATES

SHT. 1 OF 3

The following Standard Plans for Public Works Construction, 1997 Edition, of the American Public Works Association (Southern California Chapter) and Associated General Contractors of California (Southern California Districts) have been adopted by Orange County Resources & Development Management Department (RDMD) with conditions which shall apply to RDMD use. The conditions are listed below.

<u>APWA #</u>	<u>RDMD #</u>	<u>Name and Conditions</u>
600-1	600-1-OC	<u>Chain Link Fence and Gates</u>



**TYPICAL DOUBLE LEAF
 GATE FRAME, CHAIN AND LOCK CUT-OUT**

DETAIL A
 NTS

NOTE:
 All gate frames and cut-outs shall be 1-1/2" (38mm) min. std. galv. pipe

ORANGE COUNTY RESOURCES & DEVELOPMENT MANAGEMENT DEPARTMENT

Approved: *H. I. Nakasone*
 H. I. Nakasone, Chief Engineer

Adopted: Res. 91-1481 Revised: Res. 06-010

STD. PLAN

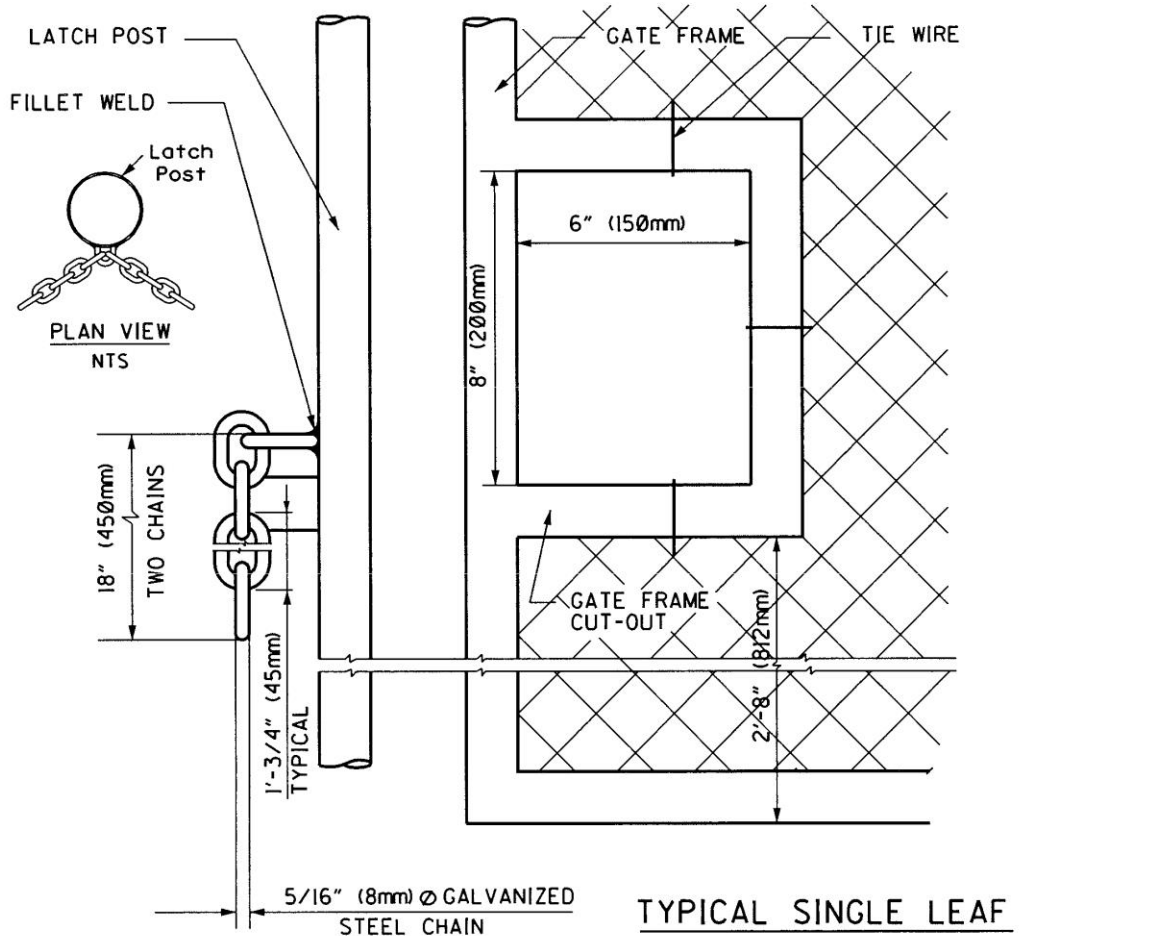
600-1-OC

APWA STANDARD PLAN-CHAIN LINK FENCE AND GATES

SHT. 2 OF 3

The following Standard Plans for Public Works Construction, 1997 Edition, of the American Public Works Association (Southern California Chapter) and Associated General Contractors of California (Southern California Districts) have been adopted by Orange County Resources & Development Management Department (RDMD) with conditions which shall apply to RDMD use. The conditions are listed below.

<u>APWA #</u>	<u>RDMD #</u>	<u>Name and Conditions</u>
600-1	600-1-OC	<u>Chain Link Fence and Gates</u>



NOTE:
 All gate frames and cut-outs shall be 1-1/2" (38mm) min. std. galv. pipe

**TYPICAL SINGLE LEAF
 GATE FRAME, CHAIN AND LOCK CUT-OUT**
 DETAIL B
 NTS

ORANGE COUNTY RESOURCES & DEVELOPMENT MANAGEMENT DEPARTMENT

Approved *H. I. Nakasone*
 H. I. Nakasone, Chief Engineer

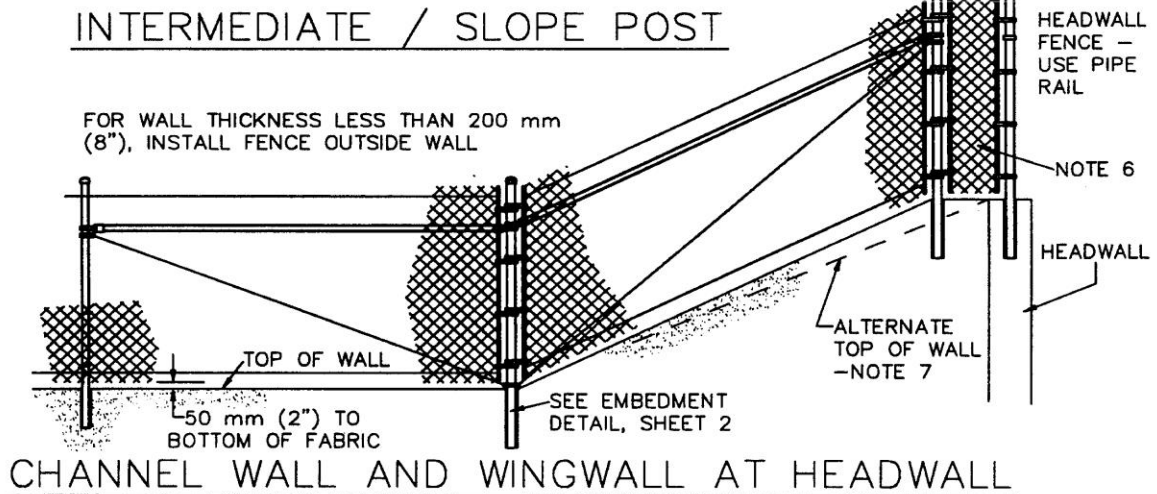
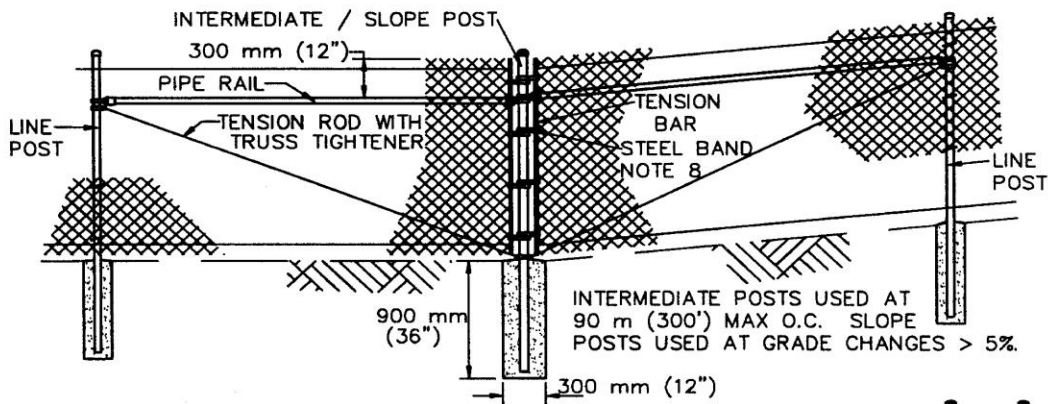
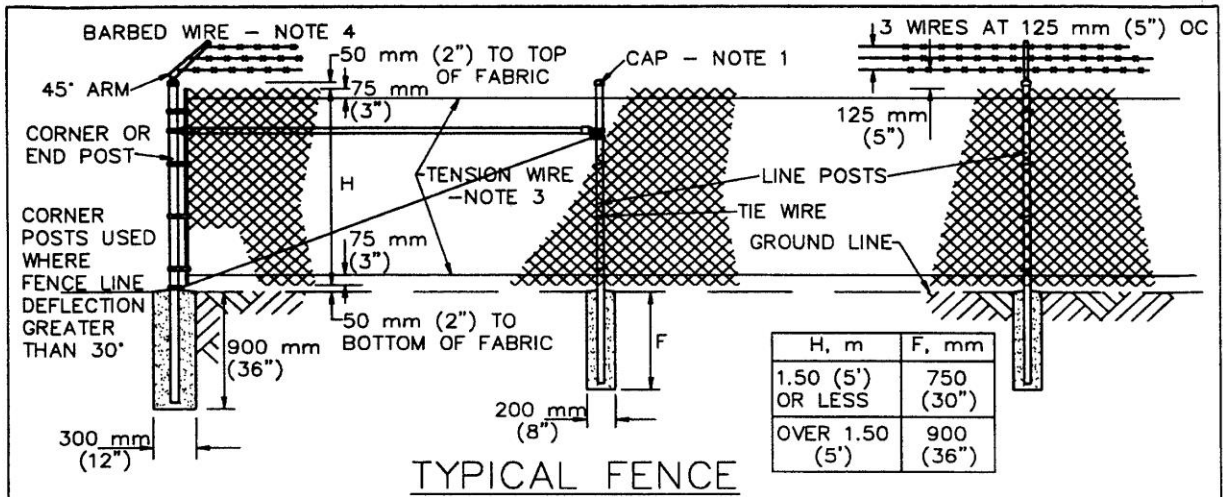
Adopted: Res. 91-1481 Revised: Res. 06-010

STD. PLAN

600-1-OC

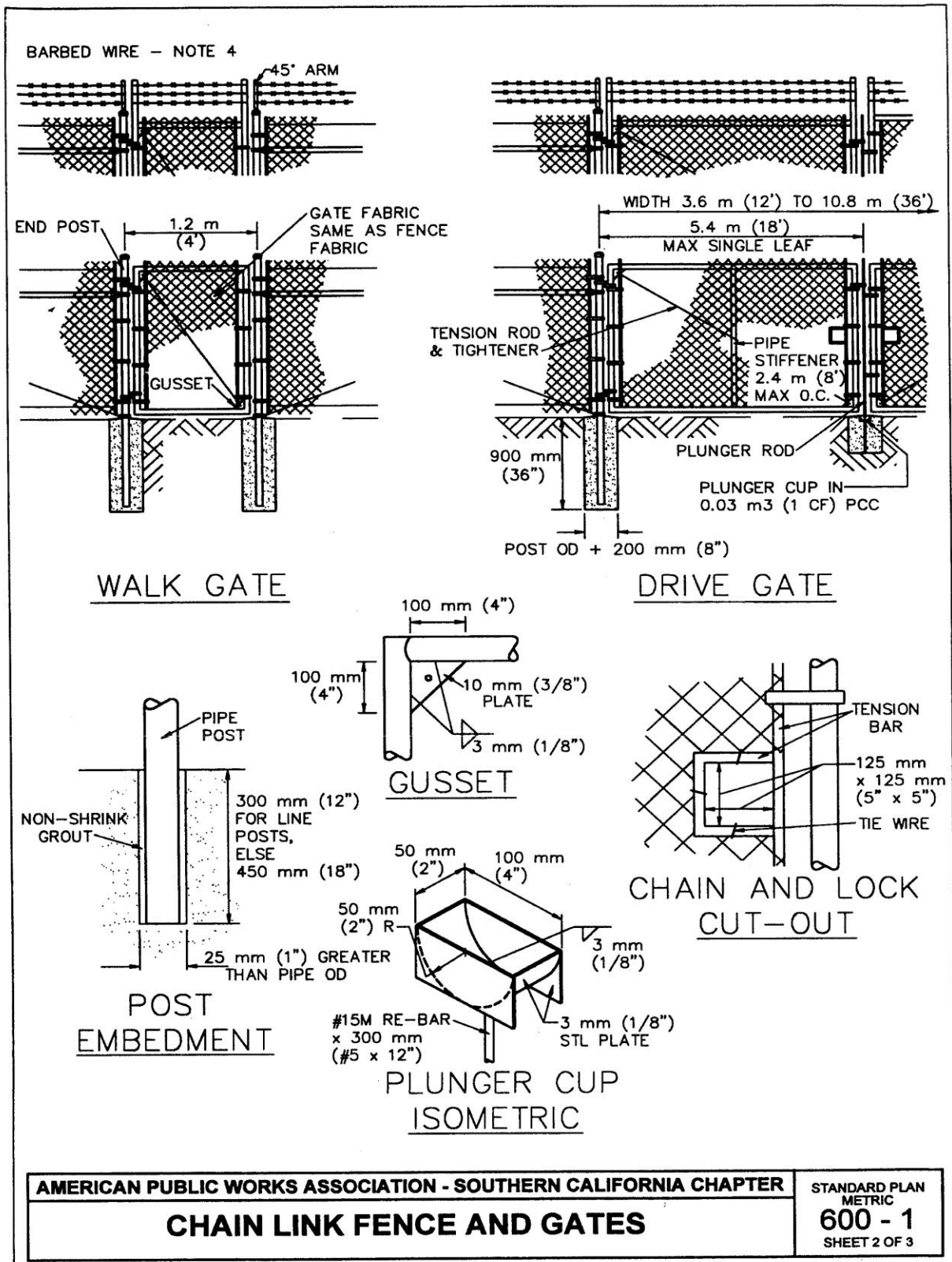
APWA STANDARD PLAN-CHAIN LINK FENCE AND GATES

SHT. 3 OF 3



AMERICAN PUBLIC WORKS ASSOCIATION - SOUTHERN CALIFORNIA CHAPTER		
PROMULGATED BY THE PUBLIC WORKS STANDARDS INC., GREENBOOK COMMITTEE 1984 REV. 1998	CHAIN LINK FENCE AND GATES	STANDARD PLAN METRIC 600 - 1
USE WITH STANDARD SPECIFICATIONS FOR PUBLIC WORKS CONSTRUCTION		SHEET 1 OF 3

SEE RDMD STANDARD PLAN 600-1-OC FOR CONDITIONS



SEE RDMD STANDARD PLAN 600-1-OC FOR CONDITIONS

NOTES:

1. SECURE DRIVE-FIT GALVANIZED CAP TO POST WITH 6 mm (1/4") ROUND-HEAD RIVET.
2. H DENOTES FABRIC WIDTH AND NOMINAL FENCE HEIGHT. H = 1.5 m (5') UNLESS OTHERWISE NOTED.
3. IF FENCE WITH TOP RAIL IS SPECIFIED, DELETE STEEL TENSION WIRE AT TOP, AND PIPE RAILS AT INTERMEDIATE, SLOPE, END AND CORNER POSTS. EXTEND TENSION ROD TO TOP RAIL.
4. BARBED WIRE SHALL BE USED ONLY WHEN SPECIFIED.
5. POST SPACING IS MAXIMUM 3.0 m (10').
6. FILL CLEAR OPENINGS GREATER THAN 75 mm (3") WITH FABRIC. FOR OPENINGS LESS THAN 450 mm (18"), TIE FABRIC TO POSTS.
7. USE ONE POST FOR COMBINED SLOPE AND CORNER POST IF TOP OF CHANNEL WALL IS CONSTRUCTED AS SHOWN FOR "ALTERNATE".
8. STEEL BANDS AT TENSION BARS SHALL BE 3 mm X 25 mm (1/8" x 1"), MINIMUM, SPACED AT MAXIMUM 400 mm (16").
9. DIMENSIONS SHOWN ON THIS PLAN FOR METRIC AND ENGLISH UNITS ARE NOT EXACTLY EQUAL VALUES. IF METRIC UNITS ARE USED, ALL VALUES USED FOR CONSTRUCTION SHALL BE METRIC VALUES. IF ENGLISH UNITS ARE USED, ALL VALUES USED FOR CONSTRUCTION SHALL BE ENGLISH VALUES. HOWEVER, ASTM 615 REINFORCING STEEL MAY BE SUBSTITUTED FOR ASTM 615M STEEL.

AMERICAN PUBLIC WORKS ASSOCIATION - SOUTHERN CALIFORNIA CHAPTER	STANDARD PLAN METRIC
CHAIN LINK FENCE AND GATES	600 - 1
	SHEET 3 OF 3

SEE RDMD STANDARD PLAN 600-1-OC FOR CONDITIONS